

Phoenix R-1,2 Lr

DRIVERLESS



Type of vehicle

- High-lift fork truck
- High-shift stacker
- Straddle truck
- Telescoping mast stacker
- Spreader stacker
- Drawbar stacker
- Teleskoping fork stacker
- Side shift stacker
- Narrow-aisle stacker
- High-rack stacker
- Tractor
- Drive-under tractor
- Platform truck
- Lifting plate vehicle**

Special equipment

- RFID-/barcode reader
- Weighing function
- Metering function
- Roll conveyer
- Belt conveyer
- Chain conveyer
- Flexible load handling
- Cover lift
- Dual operation
- Stainless steel vehicle
- Clean room vehicle
- Outdoor vehicle
- Heavy-duty vehicle
- Lifting plate**

Application example Schott

MLR replaced and modernized the existing AGVS in the Ceran Technology Center of the specialty glass manufacturer Schott.

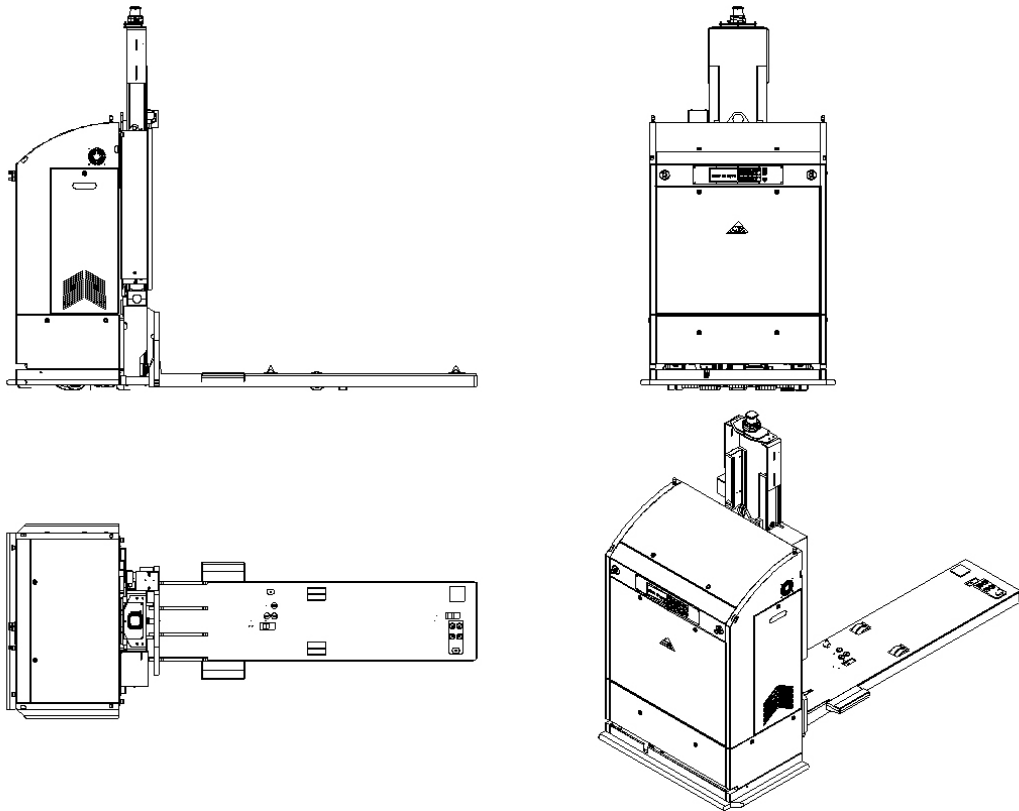
The automated guided vehicles transport glass ceramic plates in docking carts from two production lines to a central unloading station at final inspection. Each line has a docking station where a docking cart is placed by the AGV for loading. The docking cart is connected to the conveyor system of the production line by a coupling. A glass plate runs across the conveyor system into the nest on the docking cart. The nest is then shifted by one loading space, so that the ceramic plates slide into the nest slots on the docking cart one after another.

The AGV remains in place under the docking cart during the loading process. Once loading is complete, the AGV travels to the unloading station and docks the cart for automated unloading.

The AGVs are designed as lifting plate vehicles, that is, they drive under the docking carts with the receiving plate and use their lift to raise it for transport.

The AGV is coordinated and controlled by MLR's in-house management and control software, LogOS. The transport requests are initiated by the docking stations and transmitted to the LogOS management system via a signal interface.

Technical data



Phoenix R-1,2 Lr

Length	3,205 mm
Width	1,330 mm
Height	2,413 mm
Weight with battery	1,635 kg
Load capacity	1,200 kg
Ground clearance	35 mm beneath the vehicle frame
Speed	1.5 m/s forward and backward
Battery	NiCd battery 45.6 V/60 Ah
Protective devices	Laser scanner front and rear; Strip sensors on the front and each side of the front section Emergency stop buttons front and rear
Appropriate loads	Docking carts with glass ceramic plates Dimensions (L x W x H): 2,170 x 1,700 x 1,400 mm; Weight: max. 1,200 kg